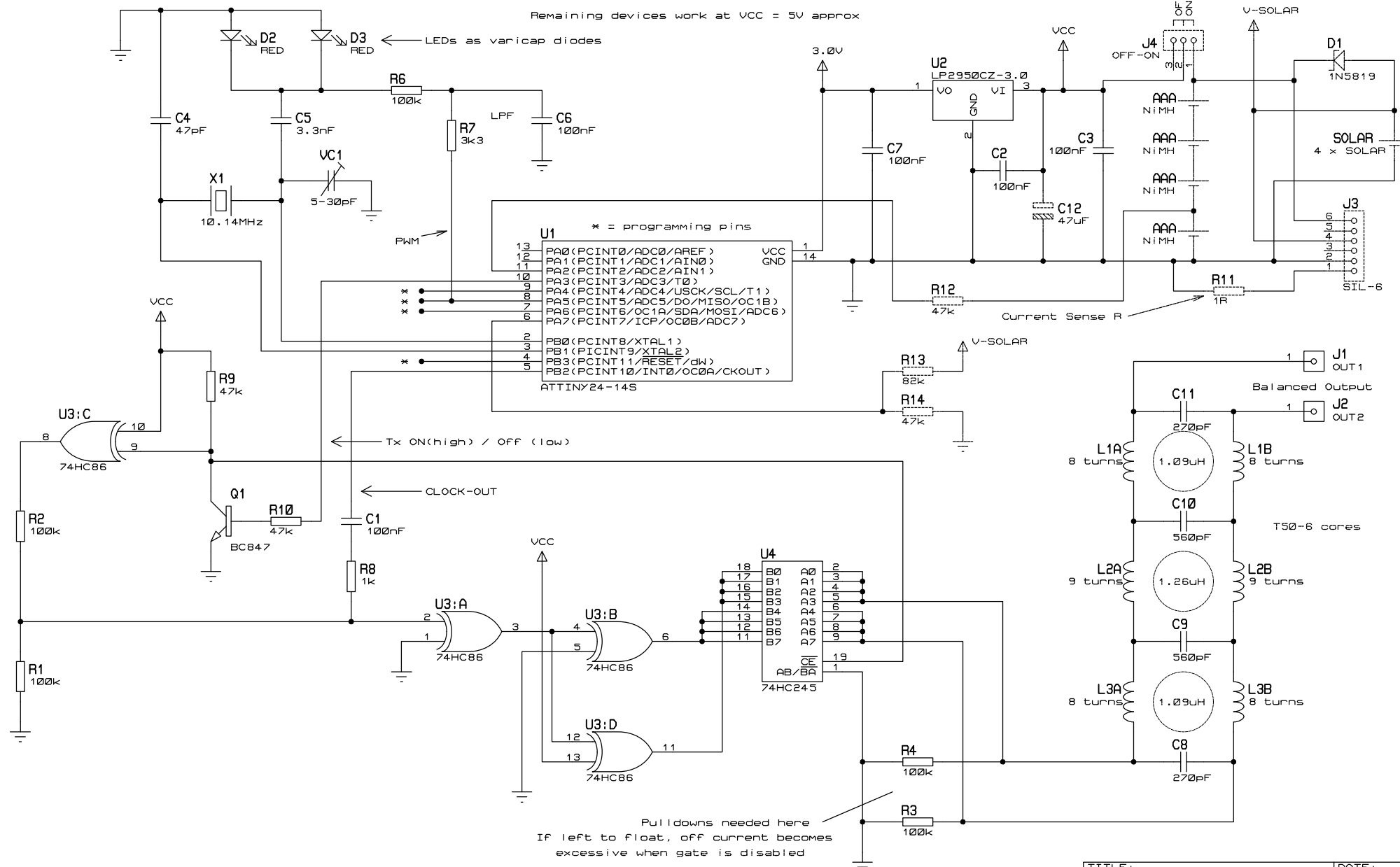


CPU runs at 3.0V regulated (to keep osc freq accurate)  
 Remaining devices work at VCC = 5V approx



TITLE:	DATE:
VK1TKA SOLAR MEPT	24/07/09
30m Band (10.14MHz)	PAGE:
BY: Clayton G VK1TKA REV:1.0	1/1